

0 1 2 3 4 5 6 7 8 9

A

B

C

D

E

F

G

H

A

B

C

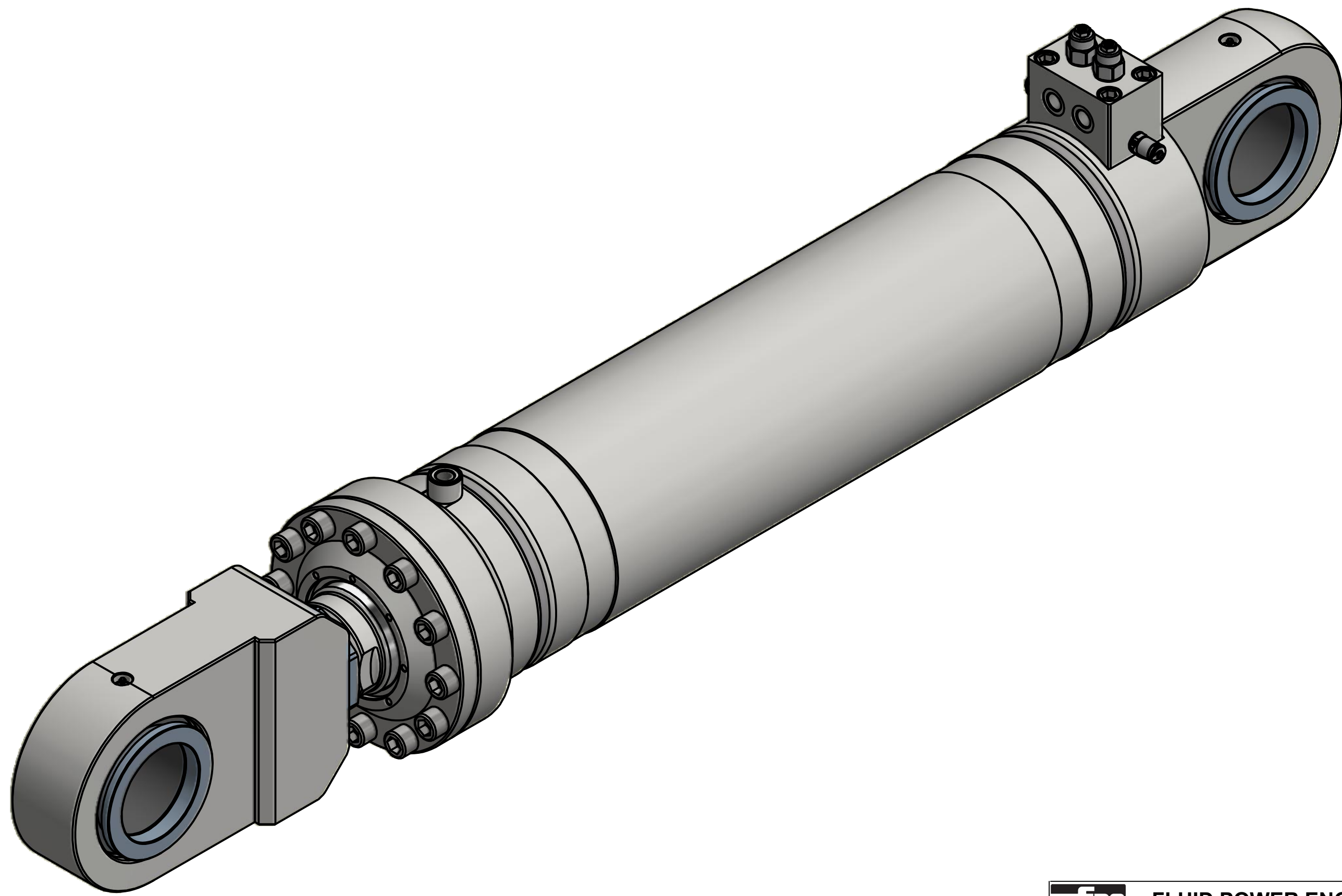
D

E

F

G

H



	FLUID POWER ENGINEERING HIGH-TECH ENGINEERING COMPANY
HEAVY DUTY LINEAR ACTUATOR FOR HYDRAULIC SYSTEMS IN DEFENSE & MARINE APPLICATIONS	
<small>THIS DRAWING REMAINS OUR EXCLUSIVE PROPERTY. SHOULD NOT BE COPIED-REPRODUCED AND/OR MADE AVAILABLE TO THIRD PARTIES WITHOUT OUR CONSENT. FOR FURTHER DETAILS PLEASE CONTACT FPE@FPE.GR</small>	

0 1 2 3 4 5 6 7 8 9