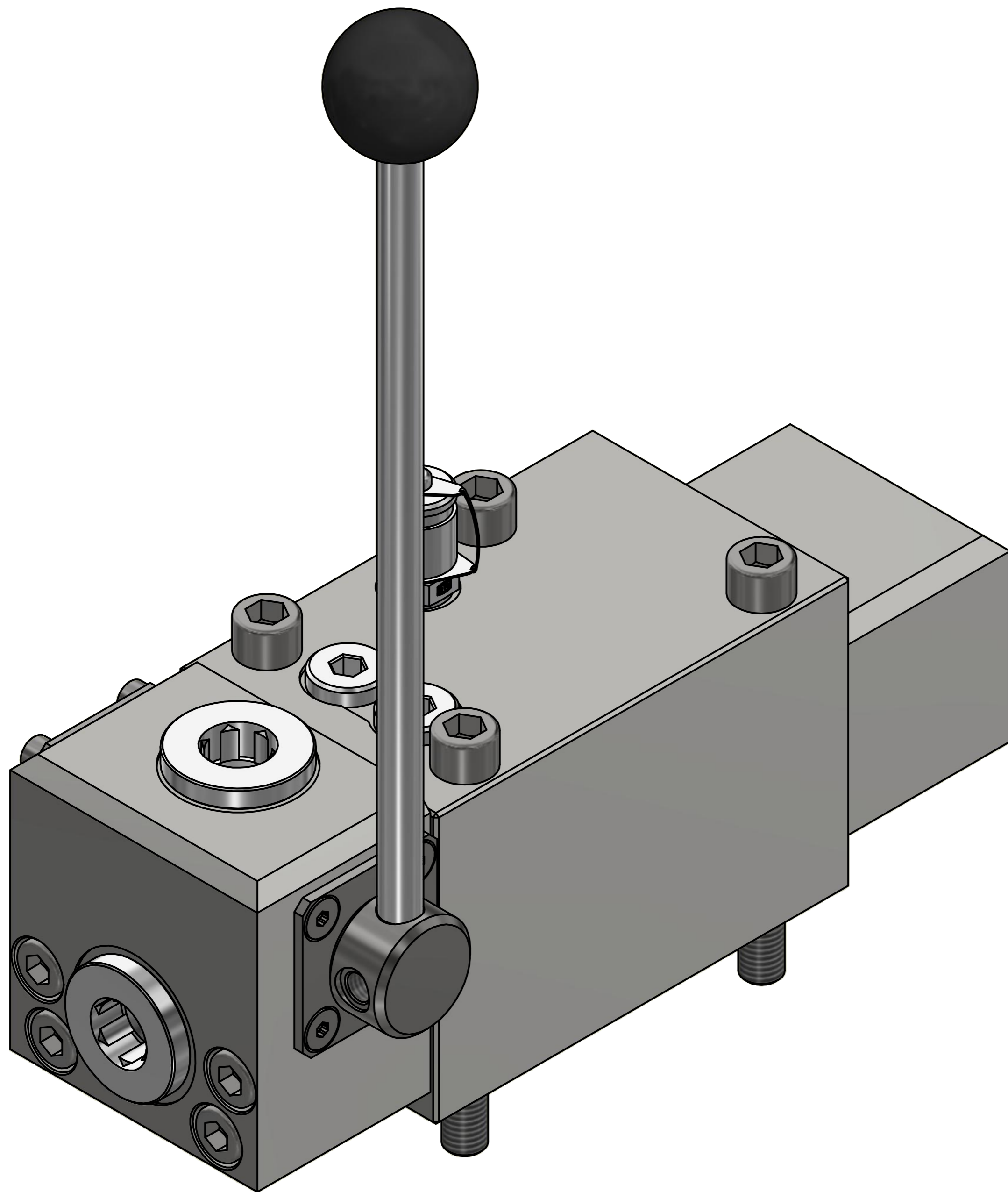
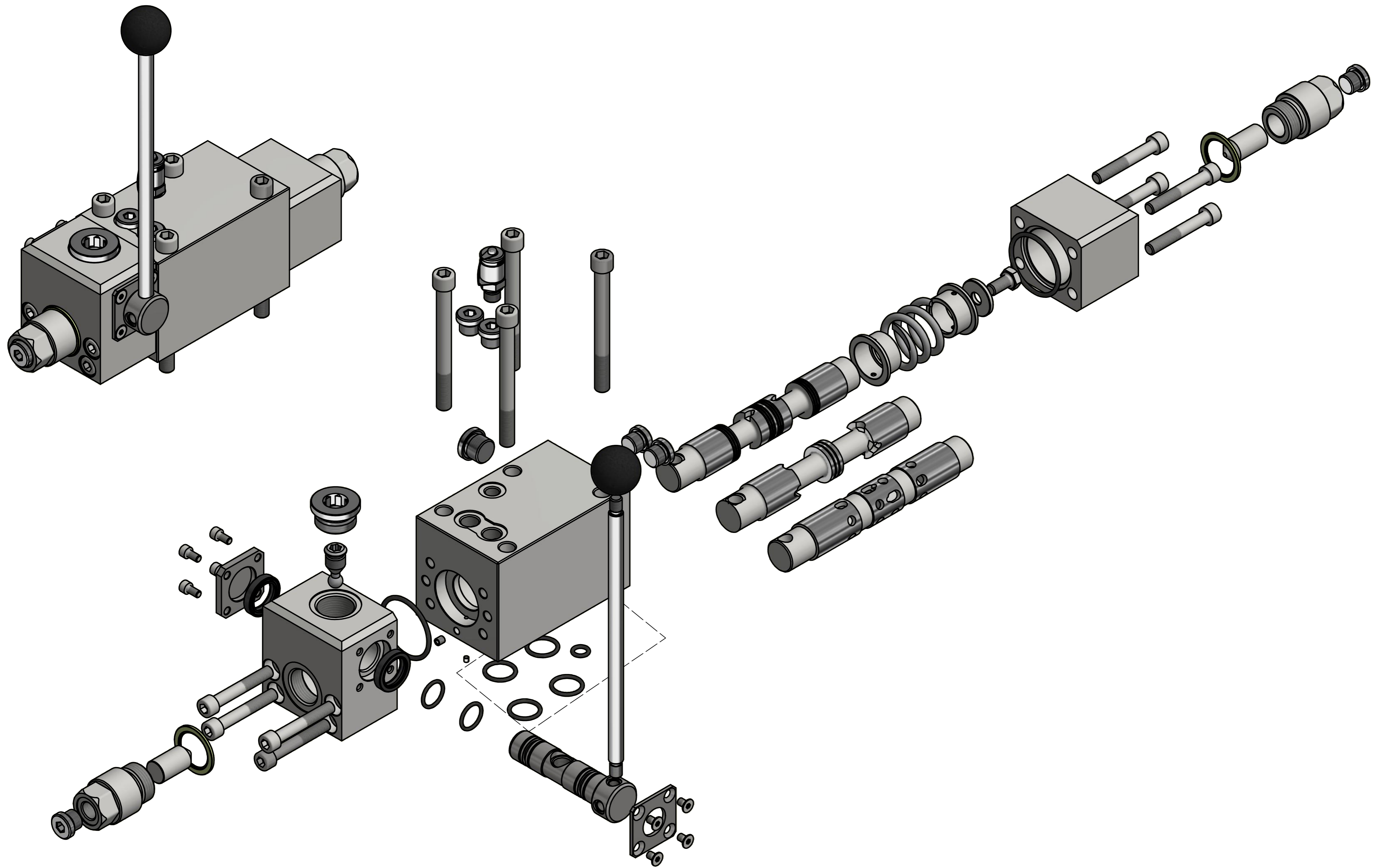


Hydraulic Proportional Marine Control Valve MFP 20

Technical information

FEATURES	Excellent control in marine conditions. Low pressure drop at high flows. Hand lever and hydraulic remote control available.	
DESCRIPTION	4/3- proportional marine control valves are especially designed for winch controls. Controllability is excellent from low speed up to maximum. Sound construction and professional design guarantees perfect function in tough marine conditions within wide temperature range. Hand lever and optional hydraulic pilot pistons enable local and remote control. The valves are designed to be manifold mounted.	
CHARACTERISTICS	Design	Spool valve
	Type of mounting	Manifold mounting
	Mounting position	Optional
	Ambient temperature range	-30° C ... 50° C
	Operating pressure (P, T, A,B)	300 bar
	Permissible drain line (L)pressure	50 bar
	Pilot pressure (SA, SB)	MFP20: 10 ...35 bar MFP30: 10 ...35 bar
	Nominal flow	MFP20: 250 l/min MFP30: 450 l/min
	Fluid	Mineral oil according to DIN 51524 and DIN 51525
	Fluid temperature range	-20° C ... +70° C
	Contamination level	Max. permissible contamination level according to NAS 1638 Class 8 (class 9 for 15 Micron and smaller) or ISO 17/14
	Protection	All adjustment screws, levers and other moving parts are protected to stand rough marine conditions
	Surface treatment	Sand blasted and primary painted 2-component epoxy paint (Optional)





fpe FLUID POWER ENGINEERING
HIGH-TECH ENGINEERING COMPANY

HEAVY DUTY HYDRAULIC PROPORTIONAL
CONTROL VALVE FOR HYDRAULIC
SYSTEMS IN DEFENSE & MARINE
APPLICATIONS

THIS DRAWING REMAINS OUR EXCLUSIVE PROPERTY SHOULD NOT BE COPIED-REPRODUCED AND/OR
MADE AVAILABLE TO THIRD PARTIES WITHOUT OUR CONSENT. FOR FURTHER DETAILS PLEASE
CONTACT FFE@FFE.GR